

CS

Plate Valve

The robust all-rounder for low to medium pressure applications

Proven design with customized features

The CS valve is a plate type valve for low to medium pressure applications. Thanks to its non-metallic valve plate made of impact-resistant polymer, the CS valve is a robust all-rounder for a wide range of applications, such as in Chemical, Petrochemical, Technical Gases and hydrogen production by electrolyzers. The optionally available high-performance polymer material HP developed by HOERBIGER also enables the CS valve to be used in cryogenic applications such as LNG boil-off. Widely designed flow channels and conically milled seats and guards offer high tolerance against clogging. Tribological optimization for lubrication-free operation and hydrogen-compatible materials provide safe operation in H2 compression systems.

Thanks to the simple but robust design with only one moving sealing element, CS valves ensure easy and cost-effective maintenance and high durability.

Wide flow channels

- High tolerance against clogging
- Conically milled seats and guards streamline flow paths

Material technology

- Tribological optimized for non-lube operation
- Hydrogen compatible materials

Anti-stiction design

- Profiled guard reduces adhesion forces due to liquids
- Avoids delays in valve closing
- Hanging and safety guard options

Impact-resistant valve plate

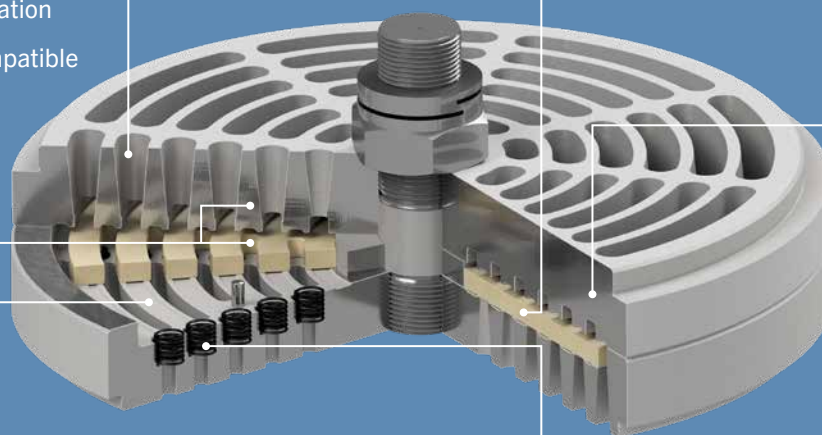
- Excellent sealing at low pressures
- Fiber reinforced PEEK for high chemical and temperature resistance
- Fiber reinforced PA for less demanding applications
- HOERBIGER HP material for cryogenic applications (LNG boil-off)

Simplicity

- Single moving sealing element
- Replaceable guide ring
- Easy and fast repair

Spring technology

- Robust coil springs designed for high dynamic loads in high lift valve configurations



CS valve ensures superior performance

The CS valve has proven its reliability and durability in more than 1000 process gas applications worldwide.

Your benefits at a glance

Features	Advantages	Benefits
Fibre reinforced polymer valve plate	Many times higher impact resistance than steel	
Tribologically optimized	Suitable for lube and non-lube compression	Long life and high compressor uptime
Wide flow channels	High tolerance against clogging	
Conically milled seats and guards		
Single moving sealing element	Easy and fast repair	Simple and cost-effective maintenance
Simple assembly Fully guided rings		
Valve seat/plate sealing lands optimized for low pressures	Minimized leakages	Increased throughput at low pressures
Robust coil springs	Designed for high dynamic loads in high lift valve configurations	High reliability for reduced downtime
Anti-sticktion design: profiled guard	Reduces adhesion forces due to liquids Avoids delays in valve closing	
Hydrogen compatible material	Resistance to hydrogen embrittlement	Safe operation in H2 compression



Learn more by visiting
www.hoerbiger.com/cs
today!



Contact us via email
c-globalmarketing@hoerbiger.com

HOERBIGER is active throughout the world in the energy sector, the process industry, the automotive industry, the mechanical engineering sector, in safety engineering, and in the electrical industry. In 2021, its 5,862 employees achieved sales of 1.119 billion euros in 131 locations across 46 countries. Our products and services are used in reciprocating compressors, gas flow control units, vehicle drives, rotating unions, explosion protection, gas-powered engines, and in automobile hydraulics.

HOERBIGER.COM

All rights reserved. Subject to change without notice © Copyright HOERBIGER 2023

